

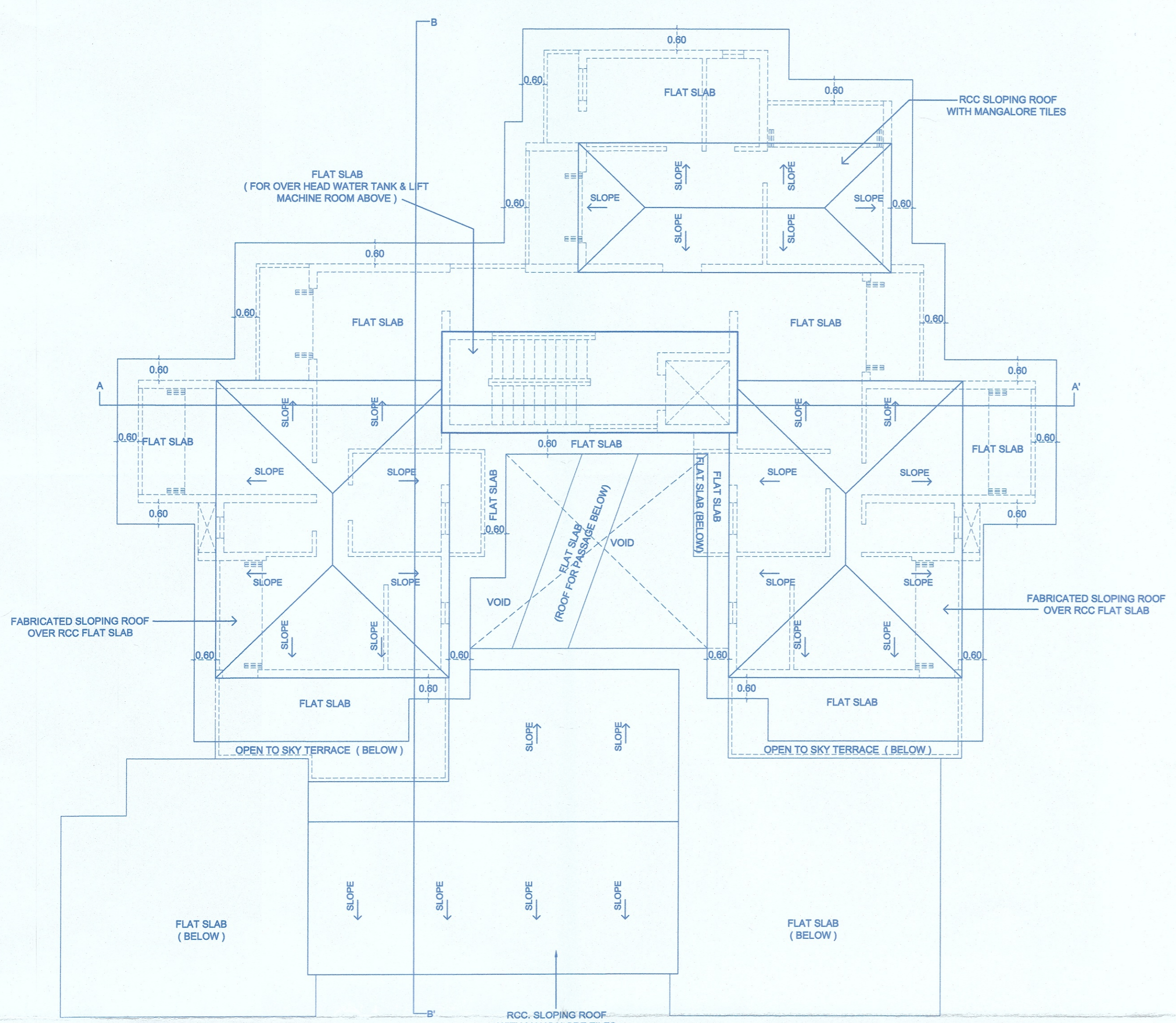
Approved with Condition
 No. PHCC/NGCC/CONS/187
 Dated 05/06/2020
 M. NAWALGA
 Medical Officer
 Primary Health Centre
 Colva

Approved with condition vide
 L. No.: 100/570/TW/174/20/2020
 H. BANDEGA
 Dy. Town Planner
 Town & Country Planning Dept.
 Govt. of Goa, Mapusa

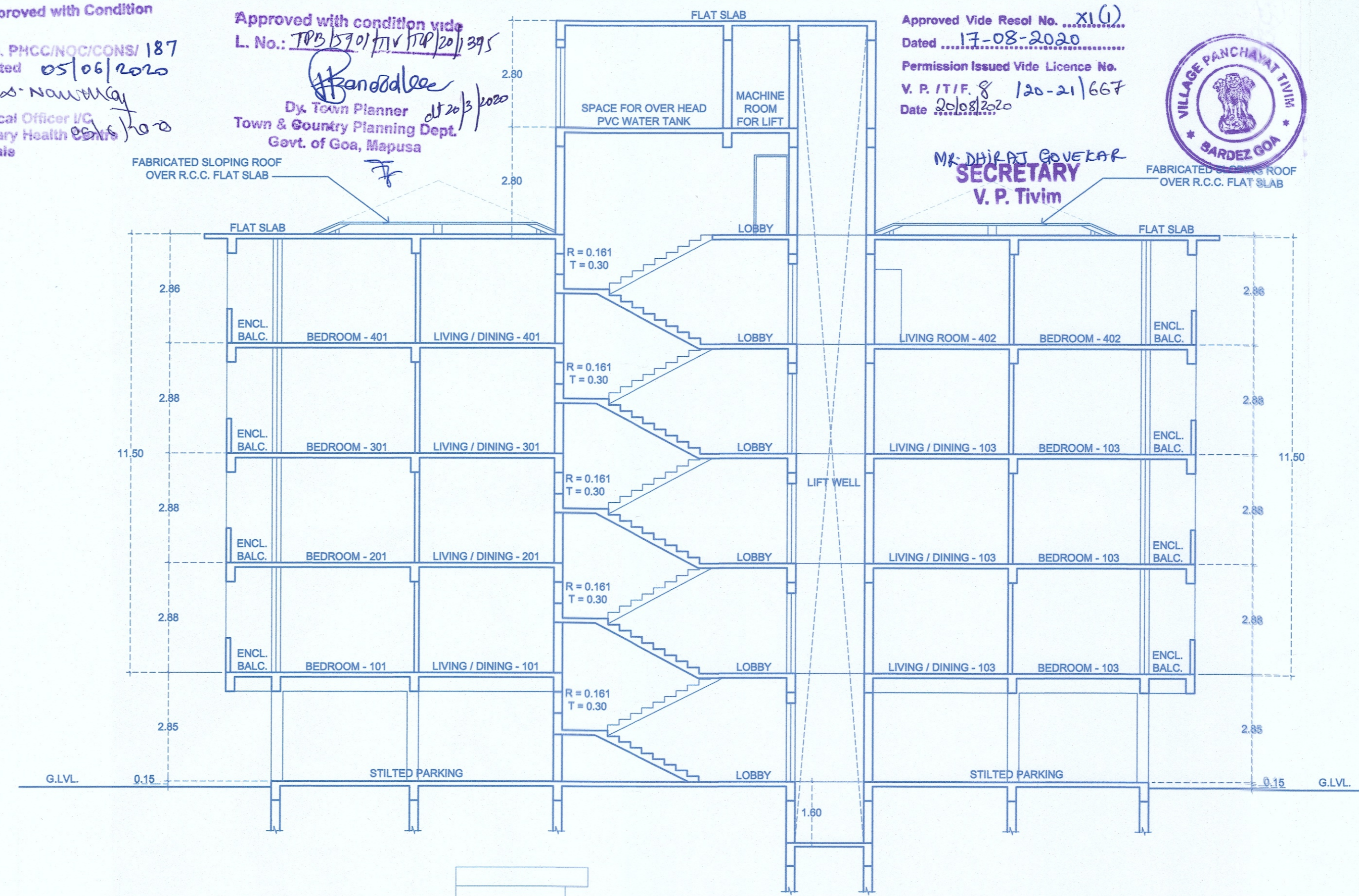
Approved Vide Resol No. ...X(1)
 Dated 17-08-2020
 Permission Issued Vide Licence No.
 V. P. 17/F. 8 / 20-21/667
 Date 20/08/2020



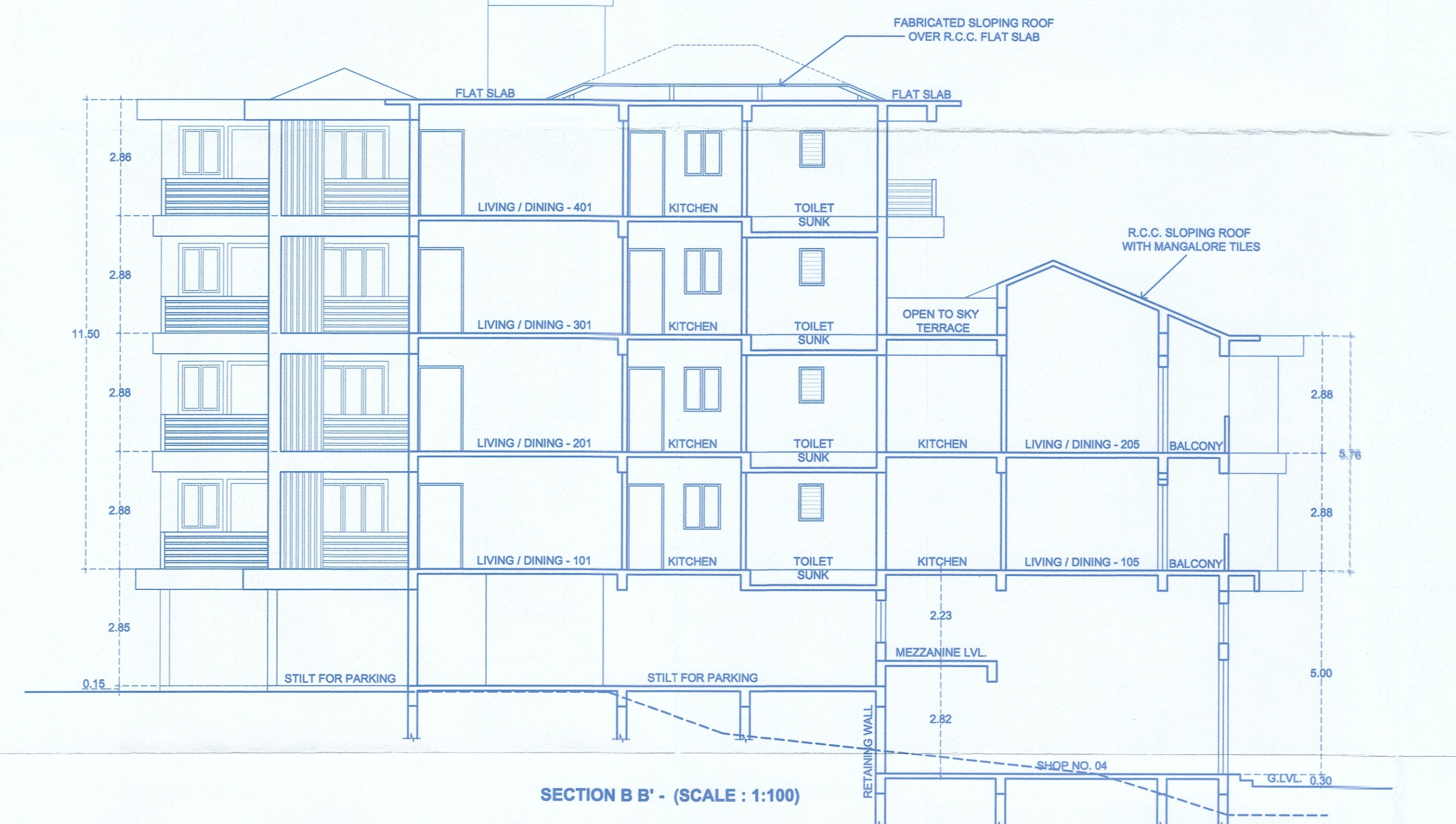
MR. DEEPAI GOVILAR
 SECRETARY
 V. P. Tivim



ROOF PLAN - (SCALE : 1:100)



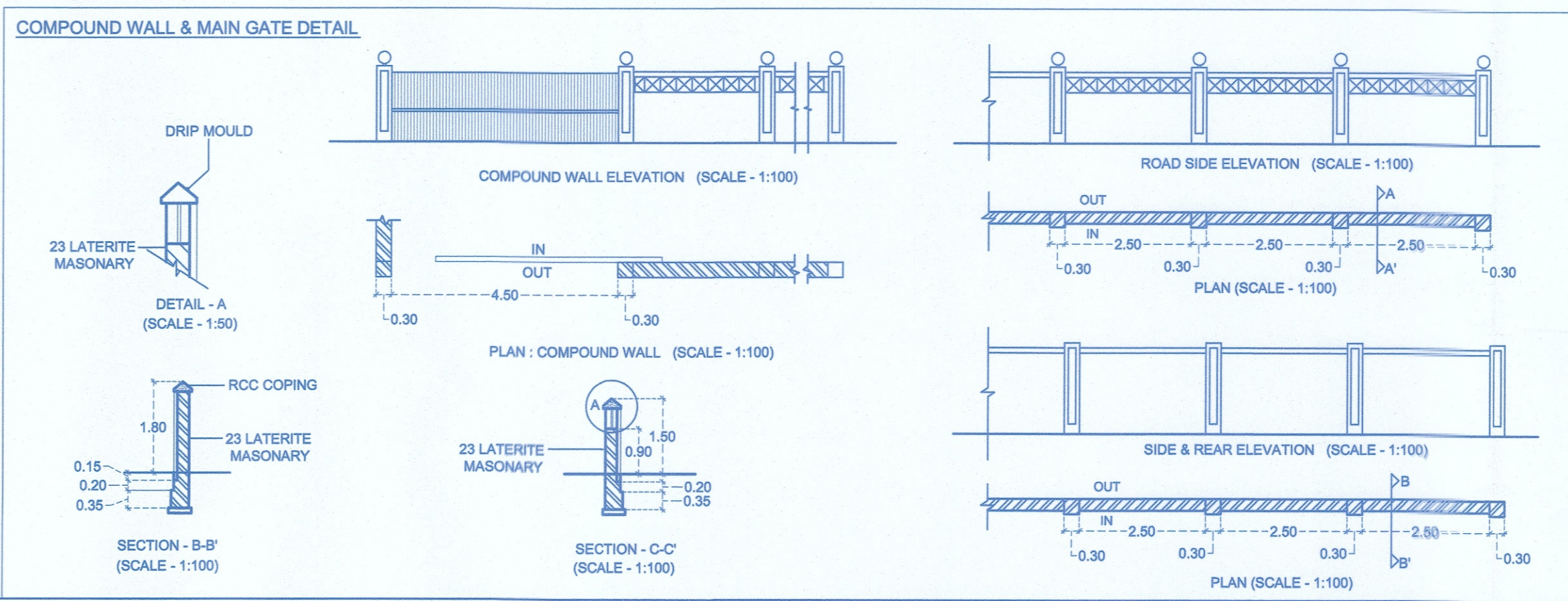
SECTION A A' - (SCALE : 1:100)



SECTION B B' - (SCALE : 1:100)



FRONT ELEVATION - (SCALE : 1:100)



ARCHITECT :
 AR. SIDDHARTH D. NAIK
 201 - A, MATHIAS PLAZA
 PANAJI - GOA 403 001
 Reg. No : AR/0027/2010

OWNER :
 N. BAL LOBO

DATE : 29 / 10 / 2019
 SCALE - 1 : 100, 1 : 500
 DRG.NO. 02/02

PROPOSED RESIDENTIAL CUM COMMERCIAL
 BUILDING & COMPOUND WALL ON
 A MALGAMATED PLOT BEARING
 SURVEY No.- 15 / 4, 15 / 5, 15 / 6, AT THIVIM
 VILLAGE , BARDEZ TALUKA , GOA .

M/S ULYSIS
 ARCHITECTURAL INTERIOR & LANDSCAPE CONSULTANTS
 #. 201 - A, SECOND FLOOR,
 MATHIAS PLAZA,
 PANJIM - GOA 403001
 PH. - 91 832 2421950

ULYSIS